

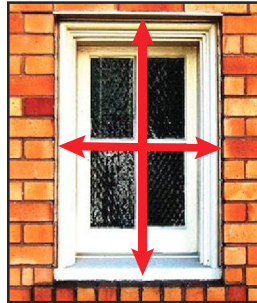
# EZ-Trim Brickmould

For Window Replacement



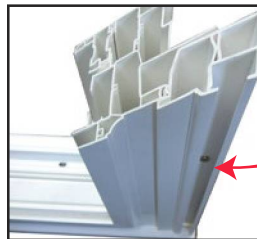
## Easy to measure

Simply provide us with the dimensions of your existing wood brickmould trim, and we will custom build a window with EZ-Trim Brickmould to fit the opening.



## Easy to Install

EZ-Trim has a convenient screw channel on the face of the product, which allows for installation from the exterior.



Screw Channel

## Traditional Styling

The 2" contoured top and sides and a 1" subsill give the appearance of traditional wood trim. (also available with 2" trim on all four sides)



## Ultimate Durability

EZ-Trim also features welded corners, and a sturdy multi-chambered design for the ultimate in durability and performance.



## Very Fast Installation

Installers love EZ-Trim Brickmould because it saves them a lot of time compared to traditional window replacement methods.

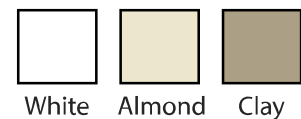


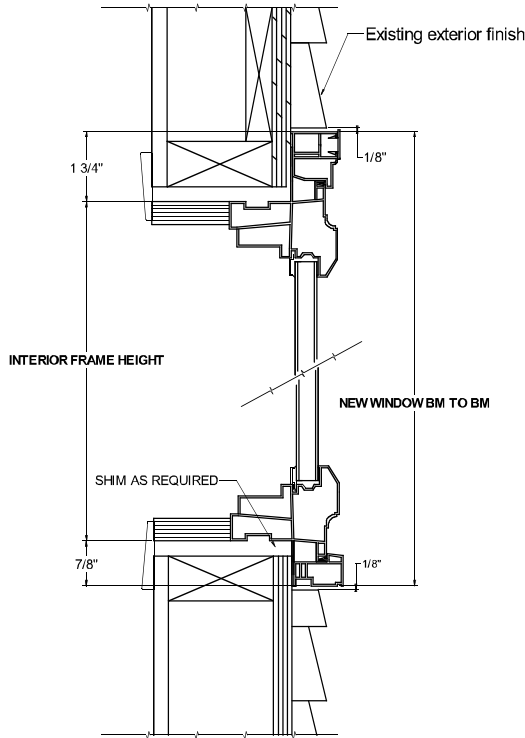
EZ-Trim is available in the following product lines:

### Envision Series

- Double Hung
- Single Hung
- Gliders Casement
- Awning
- Picture Windows

### Colors Available





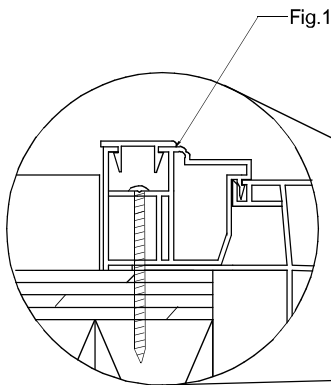
## Window Replacement

### Measuring Instructions

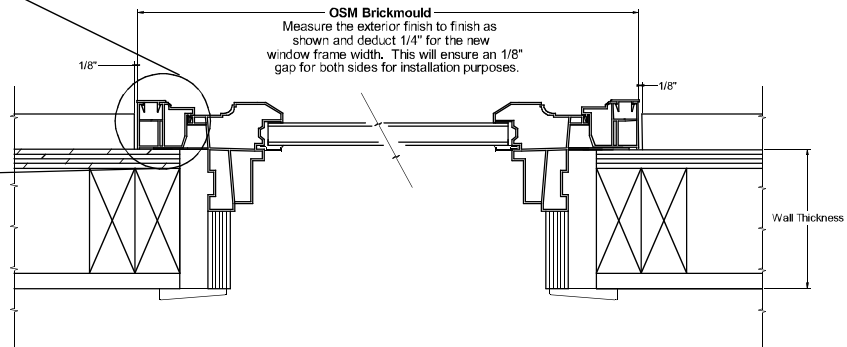
1. Measure exterior brickmould to brickmould for the width. Measurements should be taken in at least three different points, using the smallest of the three dimensions.
2. Deduct 1/4" on the width to determine BM to BM measurement. (This will allow for 1/8" caulk line on each side for the new window)
3. Measure the height from top of existing brickmould to the shortest part of the sill.
2. Deduct 1/4" on the height to determine BM to BM measurement. (This will allow for 1/8" caulk line on each side for the new window)

### General Installation Guide:

1. Remove the existing window from the rough opening
2. Remove the nailfin that extends past the subsill on the new window by scoring it with a utility knife several times and then bend at score line to remove. This nailfin is left on to protect window during shipping.
3. Remove brickmold covers from the window using a putty knife. Place putty knife between brickmould and brickmould cover from the center side of the window. Gently push inward and then lift up on the putty knife, lifting the brickmould cover. Then pull the cover off by hand. Repeat this step for the remaining two brickmould covers. See Fig. 1. for where to pry the covers off.
4. Install the window in accordance with good practice and required building codes.
5. Shim window as required to support the window to ensure it is level, square and plumb.
6. Secure the window in place by using the 3" pan head screw (provided with the window) through the brickmould as shown in the Fig. 1. Use the groove as a guide for proper screw placement.
7. Snap the cover provided into place to cover screws, trim as needed.
8. Caulk between the siding and brickmould.



**Note: These are only installation guidelines, please follow local building codes.**



#### Notes:

- Exact window size will be 3 1/4" less than the OSM Brickmould (side jambs)
- Exact window size will be 2 1/2" less than the OSM Brickmould (head to subsill)
- Jamb depths in homes may vary. We suggest that you verify all openings.

**BM to BM = Brickmould to Brickmould**  
**OSM = Outside Measurement**

**Note: Not all replacement situations are the same. Some modifications may have to be made depending upon your installation situation.**

**Note: The Brickmould measurements you order width and height will be the size you receive.**